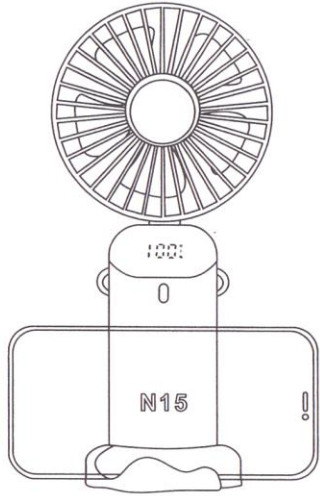


FAN

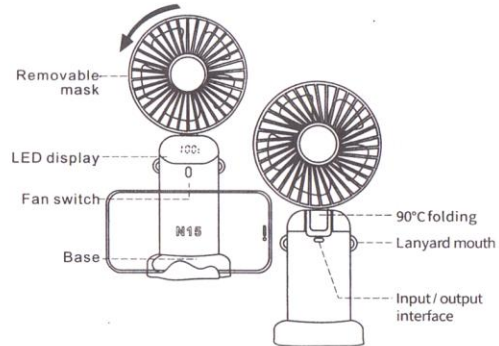
Portable LED digital display fan



Product Parameters

Product model	N15
Product power	2.5W
Battery voltage	3.7V
Battery model	18650 lithium batter
Input voltage/current	5V = 1Amax
Product material	ABS / PC / circuit board
Product size	188x90x46.5mm
Base size	64x64x16mm
Product weight	190g
Product color	Snow peak white, cherry blossom powder, deep sea blue, dark night green
Executive standard	GB4706.27-2008

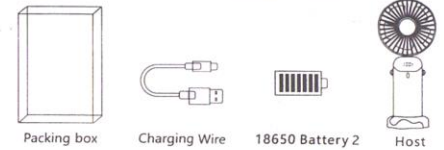
Product Structure



Instructions

Press the Button	First Time	Sleep wind
Press the Button	Second Time	Natural wind
Press the Button	Third Time	Refreshing wind
Press the Button	Fourth Times	Cool wind
Press the Button	Fifth time	Maximum Wind

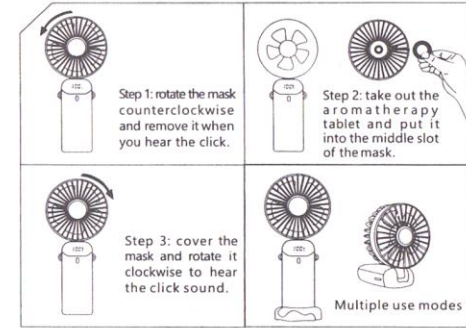
Product Accessories



Warning

- Do not use this product in damp conditions (such as, a bathroom). Contact with water may cause product failure or damage.
- Do not knock or hit this product, which may cause internal damage repeatedly hitting.
- Do not disassemble, repair or modify this product.
- Do not put the product into the fire in order to avoid the risk of explosion.
- If the product appear abnormal high temperature or deformation during charging, please stop charging immediately and contact after-sales service center.
- Do not allow children under 7 to use this product alone.

Aromatherapy sheet assembly method



WARRANTY CARD

- The free warranty card of this warranty card is limited to the performance faults caused by production, technology and quality problems.
- One year warranty, that is effective from the date of sale.
- If there is artificial damage, customers are required to pay for repair parts and round-trip freight.
- The warranty card should be clearly written and should not be altered. Please take care of it properly.
- The final interpretation right of this warranty card belongs to the company.

Customer Name:	Contact Number:
User Address:	
Adverse Causes:	